



MERLO

P 50.18 HM

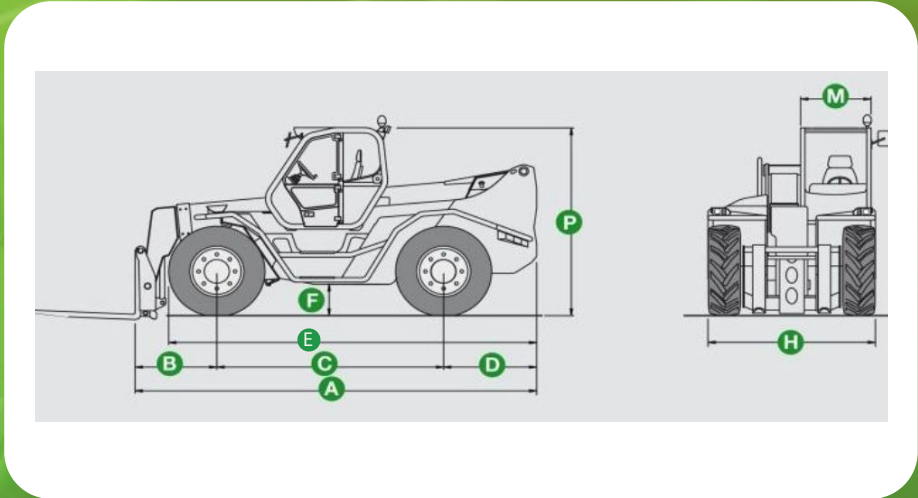
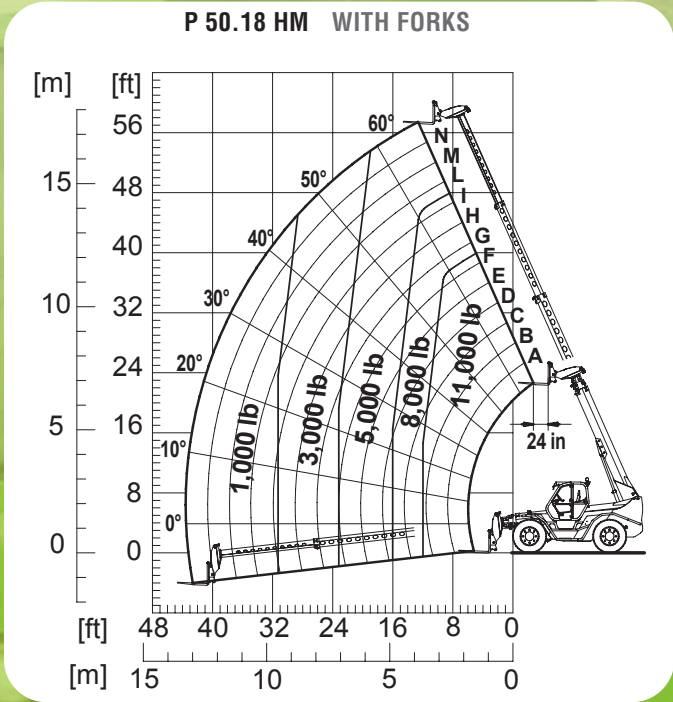


- **MAXIMUM LOAD CAPACITY: 11,000 LBS**
- **MAXIMUM LIFT HEIGHT: 58' 7"**
- **MAXIMUM REACH: 42' 3"**
- **LOAD CAPACITY AT MAXIMUM LIFT HEIGHT: 6,600 LBS**
- **LOAD CAPACITY AT MAXIMUM FORWARD REACH: 1,100 LBS**

SPECIFICATIONS: P 50.18 HM



Power / 6 Cylinder Turbo Diesel	Iveco / 170 HP
Transmission	2 Speed / Hydrostatic
Maximum Speed	25 MPH
Total Unladen Mass	34,610 LBS
Boom Sideshift	Standard / 1'-6"
Frame Leveling	Standard / ±8%
Load Sensing Hydraulic Pump (PSI-gal/min) ..	3,340-38
Fuel Capacity	48.8 Gallons
Hydraulic Oil Capacity	32 Gallons
Tires	17.5/25
Turning Radius	14'-2"
4 Wheel Drive / 3 Steering Modes	Standard
Control and Command System	Electronic MERlin



Dimensions					
A	20'-2"	D	1'-6"	H	7'-10"
B	5'-1"	E	7'-10"	M	3'-3"
C	10'-7"	F	1'-10"	P	9'-4"

DEALER INFORMATION: