

COMPACT P27.6 AU

- ▶ **Largest cab** of any compact at 1,010 mm
- ▶ Hydrostatic transmission gives a **smooth ride**
- ▶ **Fuel efficient and fast**, the P27.6 AU reaches 40 km/h
- ▶ With a **boom reach of 6 m**, it out performs other compacts

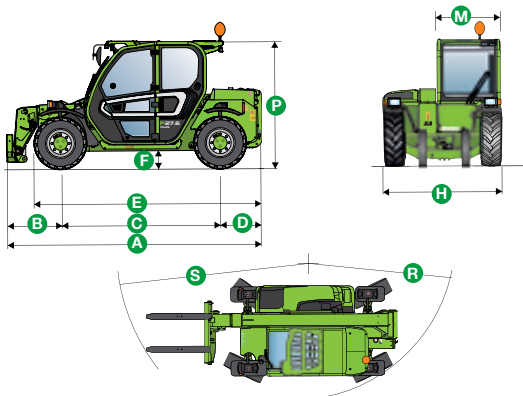
SINCE 1964



Merlo's new **P27.6 AU telehandler** delivers unrivalled comfort, efficiency and agility.



COMPACT P27.6 AU

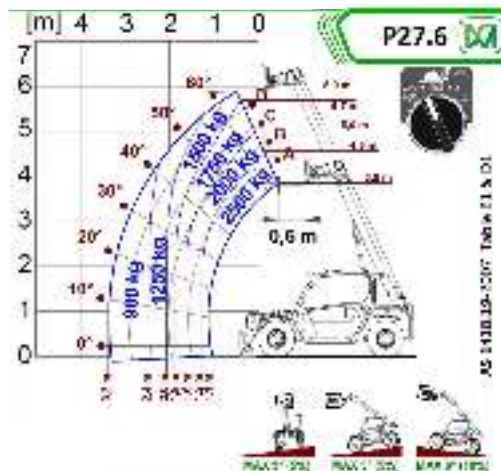


DIMENSIONS

| | |
|--------|------|
| A (mm) | 3910 |
| B (mm) | 820 |
| C (mm) | 2450 |
| D (mm) | 640 |
| E (mm) | 3495 |
| F (mm) | 270 |
| H (mm) | 1840 |
| M (mm) | 1010 |
| P (mm) | 1920 |
| R (mm) | 3370 |
| S (mm) | 4200 |

PERFORMANCE

| | |
|-------------------------------------|-------|
| Total Unladen Mass, with Forks (kg) | 4,780 |
| Maximum Capacity (kg) | 2,500 |
| Lifting Height (m) | 5.9 |
| Maximum Reach (m) | 3.3 |
| Maximum Operating Height (m) | 4.5 |
| Maximum Operating Reach (m) | 1.2 |
| Capacity at Maximum Height (kg) | 1,500 |
| Capacity at Maximum Reach (kg) | 900 |



STANDARD SPECIFICATIONS

Engine

| | |
|------------------------|-----------------------|
| Turbo Engine | Kubota V3307 Euro III |
| Range/Cylinders | 3,300/4 |
| Engine Power (kW/HP) | 54/74 |
| Maximum Speed (km/h) | 40 |
| Fuel Tank Capacity (l) | 70 |

Transmission

| | |
|--------------------------------|-----|
| Hydrostatic Merlo Transmission | Std |
| Pedal Inching-Control | Std |
| Permanent Four-Wheel Drive | Std |

Brakes

| | |
|----------------------------------|-----|
| Automatic Parking Brake | Std |
| External Dry Disc Service Brakes | Std |

Tyres

| | |
|----------------|-------------|
| Standard Tyres | 12.0/75-18" |
|----------------|-------------|

Cab

| | |
|---|-----|
| Air Conditioned Cabin | Std |
| Pressurized Cabin | Std |
| Air Suspension Seat | Std |
| FOPS (ISO 3449) and ROPS (ISO 3471) Cab | Std |

Steering

| | |
|--------------------|-----|
| All Wheel Steering | Std |
|--------------------|-----|

Instruments

| | |
|------------------------------------|-----|
| Electromechanical Joystick Control | Std |
| Merlo Dynamic Load Control (M-CDC) | Std |
| Reversing Camera | Std |

Hydraulic System-Implement

| | |
|-------------------------------------|--------|
| Gear Pump (bar-l/min) | 210/94 |
| Hydraulic Oil Tank Capacity (l) | 70 |
| Auxiliary Hydraulic Service on Boom | Std |

Accessories and Attachments

| | |
|------------------------------|----------|
| Tac-Lock Attachment Locking | Std |
| Standard Forks | Std |
| Fork Extensions | Optional |
| Digging Bucket | Optional |
| Re-handling Bucket | Optional |
| 4 x 1 Bucket | Optional |
| Multipurpose Bucket | Optional |
| Crane Hook | Optional |
| Reduced Height Crane Jib | Optional |
| Drum Clamp | Optional |
| Fork Rotator | Optional |
| Carriage with Floating Forks | Optional |
| Man Platform | Optional |



120-124 Toongabbie Road Girraween 2145 NSW Australia
For further information please call **1300 657 325** or visit merloaustralia.com.au

Merlo reserves the right to modify and update the contents of this document at any time. Information and technical data are as available at time of printing.

For current information on Merlo products please contact your Merlo dealer.

ABN 87116110751 **MER-P27.6AU-2018**