



XD120VT

COMBINATION VIBRATORY ROLLER

组合式振动压路机

XD120VT is a model of combination vibratory roller with front drum and rear tire developed for the European and American markets. It is characterized by combination of vibratory steel drum and static tyre, can implement both vibration compaction and surface rubbing. It is an efficient and high-quality compaction machine for small area compaction operations and infrastructure reconstruction and extension projects.

XD120VT组合式振动压路机是专为欧洲市场而开发的前钢后胶组合式振动压路机。其特点是轻型组合振动压路机由振动钢轮和静碾轮胎压轮组合而成，因此兼具振动压实和表面揉搓的两种压实作用，对于小面积压实作业以及基础设施建设的改扩建工程来说，是一种高效高质的压实机械。

Performance Characteristics / 性能特点

- Suspension seat with safety belt and occupation switch.
- Foldable ROPS provides safety protection under extreme conditions.
- Driving safety and reliability is guaranteed by three means of braking: neutral brake, secondary brake and parking brake.
- Propel lever integrates vibration, water sprinkling and braking functions.
- Foot type oil spray switch, easy to operate.
- Bilateral accesses, large area step design, safe and reliable.
- The front drum and rear tire combination greatly improves the compacted surface quality of asphalt top layer.
- Dual-frequency single-amplitude vibration exciter provides two kinds of exciter forces for different working conditions.
- 67Hz high frequency vibration and high excitation force ensures high compaction efficiency and deep influence.
- Manual and automatic vibration control.
- 720mm large diameter drum design, good traffic performance, high compaction quality.
- Tubeless tires, high reliability, easy maintenance, ensure the continuity of construction.
- 减震座椅配安全带和压力开关。
- 可折叠的ROPS，避免了翻车时压路机的翻滚，提供了极端状况下的安全保护。
- 采用中位制动、紧急制动和停车制动三级制动，确保行车安全可靠。
- 多功能行走控制杆，带振动、洒水、制动操作。
- 脚踏式洒油开关，操作方便。
- 双侧通道，大面积台阶设计，安全可靠。
- 前配钢轮后配胶轮组合，高度集中，优势互补，能大幅提高沥青面层的压实表面质量。
- 前轮钢轮双频率的激励器设计，可以提供大小两种激振力，满足不同工况的施工要求。
- 67Hz的高频振动，确保了整机压实效率高、影响深度大。
- 手动与自动的振动控制。
- 720mm大直径压轮设计，通过性能好，压实质量高。
- 无内胎轮胎，可靠性高，易维护，确保施工连续性。

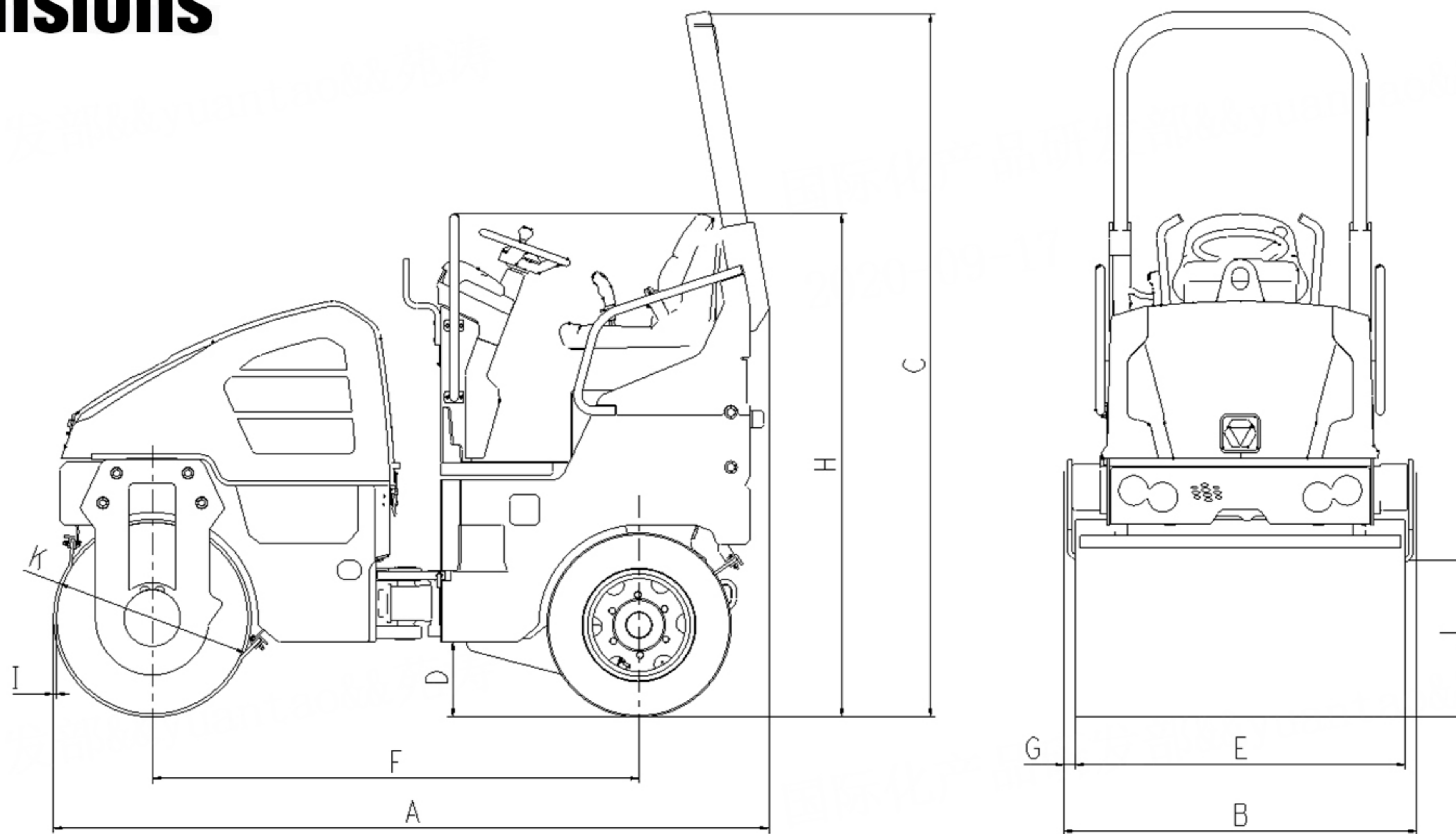
XD120VT

COMBINATION VIBRATORY ROLLER

组合式振动压路机

Main Dimensions

主要尺寸



Dimension 尺寸 (mm)	A	B	C	D	E	F	G	H	I	J	K
XD120VT	2610	1286	2575	275	1200	1773	42	1845	11	570	720

Main Specifications

主要技术参数

	Item	项目	单位 Unit	XD120VT
Weights 质量参数	Operating weight	工作质量	kg	2650
	Front axle weight	前轮分配质量	kg	1350
	Rear axle weight	后轮分配质量	kg	1300
	Static linear load	前轮静线载荷	N/cm	110
Maneuverability 机动性能参数	Operating speed	工作速度	km/h	0~10
	Theoretical gradeability	理论爬坡能力	%	30
	Minimum turning radius(intern/extern)	最小转弯半径(内/外)	mm	2250/3450
	Min. ground clearance	最小离地间隙	mm	275
	Wheel base	轴距	mm	1773
	Oscillation angle	摇摆角	°	±8
Compaction Performance 压实参数	Braking distance(smooth cement pavement)	制动距离(平整水泥路面)	m	<3.4
	Vibration frequency	振动频率	Hz	63/67
	Nominal amplitude	名义振幅	mm	0.5
	Exciting force (High/low frequency)	激振力(高频/低频)	kN	36/41
	Drum diameter	压轮直径	mm	720
Hydraulic System 液压系统	Drum width	压实宽度	mm	1200
	Charge pressure of drive system	驱动系统补油压力	MPa	2.5
	Relief pressure of drive system	驱动系统最高压力	MPa	38
	Relief pressure of vibration system	振动系统最高压力	MPa	20
Engine 发动机	Relief pressure of steering system	转向系统最高压力	MPa	16
	Model	型号		KUBOTA D1803-CR-E5B
	Type	型式		直列三缸水冷型 Inline 3-cylinder water-cooled type
	Rated power	额定功率	kW	25
	Rated speed	额定转速	r/min	2400