



XMR153

LIGHT COMPACTION EQUIPMENT

轻型压实设备

XMR153 is a light vibratory roller with operating weight of 1.68 tons. This machine is designed especially for small areas compaction work and has advantages such as small size, strong mobility, good compaction evenness and high efficiency. Can be used for compaction of surface course and base layer. This machine is widely used in all kinds of infrastructure construction and maintenance, is an indispensable construction equipment for pavement maintenance, repair operation, small area and groove compaction, especially can play a more remarkable effect of pressure in the construction of the stadium, parks, sidewalks, parks and other municipal projects.

XMR153是工作质量为1.68吨的轻型振动压路机。该机专为小型场地压实作业而设计，具有体积小、机动性强、压实平整度好、作业效率高的特点，可用于基础层和面层的压实。该机广泛应用于各种基础设施的建设和养护，是路面养护、小面积修补作业、以及沟槽压实中必不可少的施工设备，尤其在修建体育场、公园、人行道、停车场等市政工程中更能发挥其卓越的压实效能。

Performance Characteristics / 性能特点

- Short wheelbase, small turning radius and strong maneuverability.
- Frameless articulated frame structure, good edge performance, suitable for narrow working conditions.
- The maximum road clearance and ground clearance design, good trafficability.
- All-wheel drive, stepless speed change, strong gradeability.
- International famous brand hydraulic components, high reliability.
- International famous brand sprinkler pump and plastic water tank can improve the reliability of sprinkler system.
- Two sets of brake system realize the neutral position braking, emergency braking and parking braking, to ensure the safe and reliable driving.
- The ROPS avoids the rolling of the roller, providing the safety protection under extreme conditions.
- Professional man-machine engineering design, three-level vibration reduction effectively reduces the vibration in operation, providing driving comfort.
- Standard cold start system, saving trouble and effort in low temperature environment.
- Large dip front turn over hood, each maintenance point is within reach.
- 轴距短，转弯半径小，机动性强。
- 无框架铰接车架结构，贴边性能好，适应狭窄工况。
- 最大路缘间隙和离地间隙设计，通过性好。
- 全轮驱动，无级变速，爬坡能力强。
- 国际知名品牌液压元器件，可靠性高。
- 国际知名品牌洒水泵，塑料水箱，提升洒水系统可靠性。两套独立的制动系统，实现中位制动、紧急制动和停车制动，确保行车安全可靠。
- 配有防滚翻保护架，避免了翻车时压路机的翻滚，提供了极端状况下的安全保护。
- 专业人机工程设计，三级减振，有效减少工作中的振动，驾驶舒适。
- 标配冷启动系统，在低温环境下省事省力。
- 采用大倾角前翻机罩，使各个维修保养点触手可及。

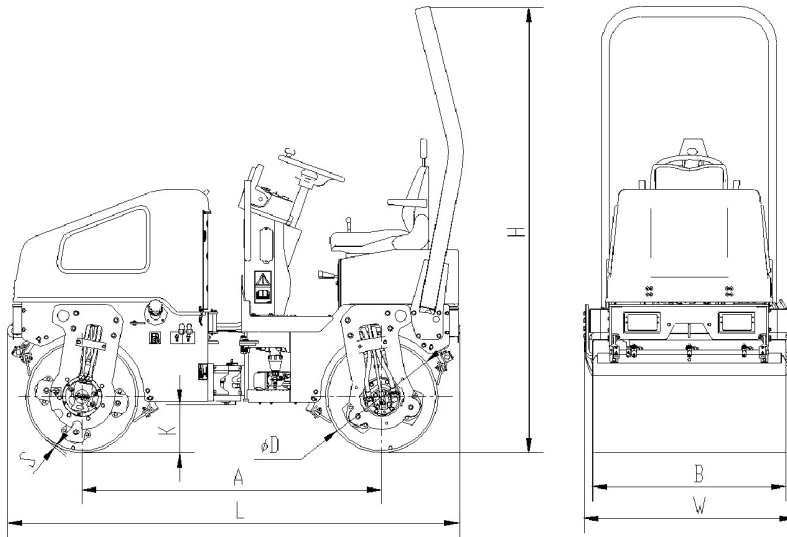
XMR153

LIGHT COMPACTION EQUIPMENT

轻型压实设备

Main Dimensions

主要尺寸



Dimension 尺寸 (mm)	A	B	D	H	K	L	S	W
XMR153	1550	900	582	2210	235	2370	12	985

Main Specifications

主要技术参数

Item	项目	单位 Unit	XMR153
Operating mass	工作质量	Kg	1680
Static linear load (front drum/rear drum)	静线载荷 (前轮/后轮)	N/cm	92/92
Range of speed	速度范围	km/h	0 ~ 10.5
Theoretical gradeability	理论爬坡能力		30%
Minimum turning radius	最小转弯外半径	mm	3100
Minimum ground clearance	最小离地间隙	mm	235
Wheel base	轴距	mm	1550
Steering angle	转向角		± 34°
Swing angle	摇摆角		± 7°
Vibrational frequency	振动频率	Hz	65
Exciting force	激振力	kN	17
Drum diameter	压轮直径	mm	582
Drum width	压轮宽度	mm	900
Engine type	发动机型号		常柴3M78 Changchai 3M78
Engine rated power	发动机额定功率	kW	17.6
Engine rated speed	发动机额定转速	r/min	2500






Machmall.com is an electromechanical product platform officially launched by XCMG, aiming to provide global customers with a complete set of high-quality construction machinery solutions and supporting equipment.


Xuzhou Construction Machinery Group Co., Ltd. (XCMG Group), founded in 1943, is the fourth largest worldwide construction machinery manufacturer and the largest in China with products covering 183 countries and regions.

XCMG have 12 complete solutions: Crane lifting, Mining Construction, Earth-moving Solutions, Road Machinery, Concrete Equipment, Tunnel and Underground Space Construction, Mobile Elevating Work Platform (MEWP), Piling and Non-excavation Equipment, Transportation Equipment, Environmental Sanitation Equipment, Firefighting, Safety and Emergency Rescue



 <https://www.machmall.com/>

 machmall@xcmg.com

 008618652183963
86-516 8773 9797